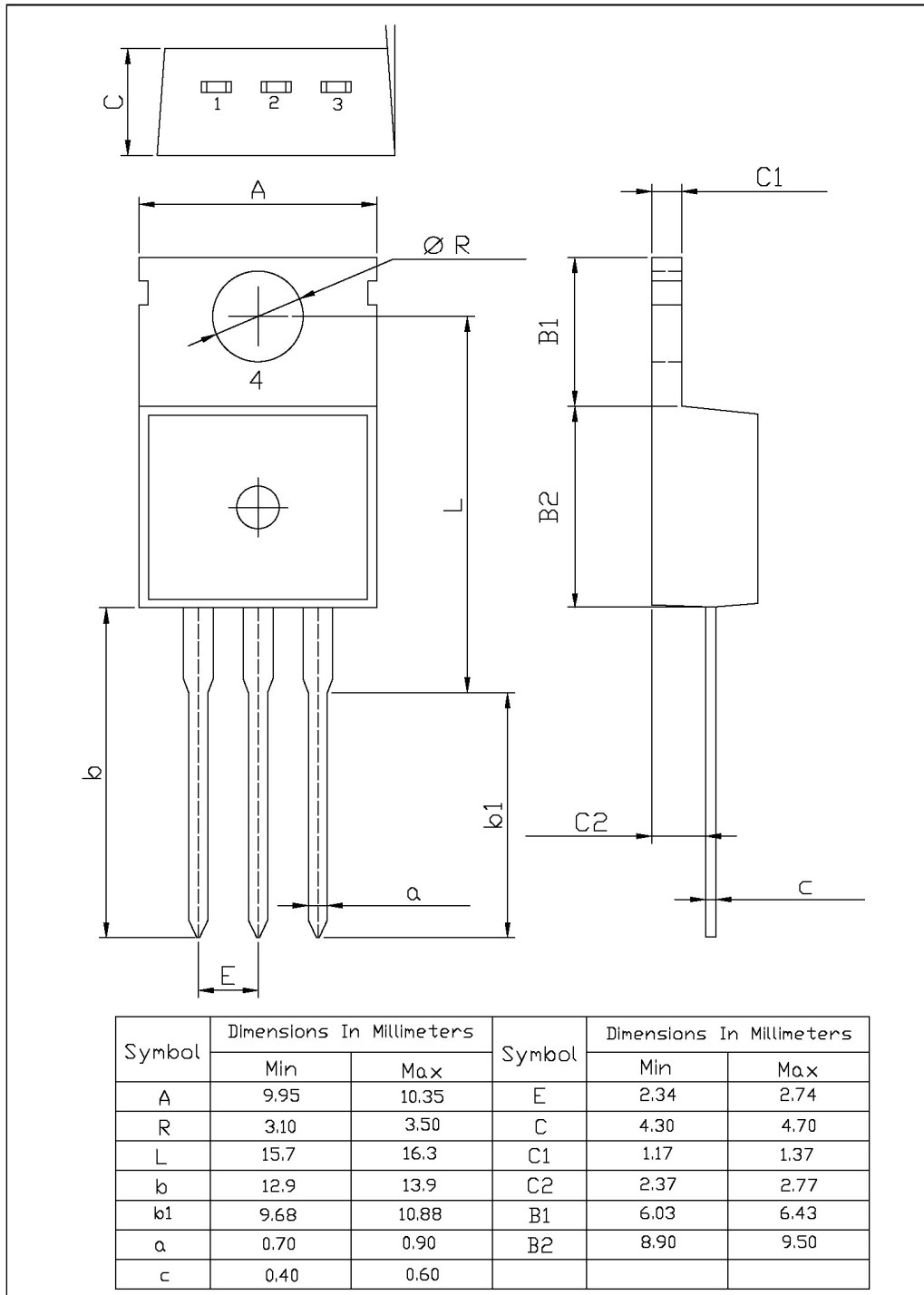




TO-220S 外形尺寸图

TO-220S

Unit: mm



Rev.01 201901